

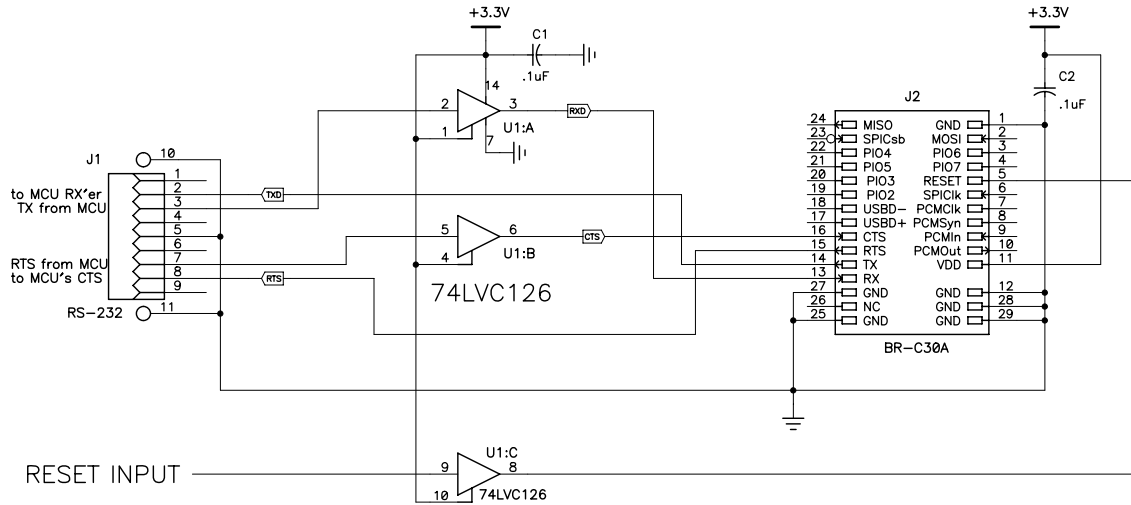
A

B

C

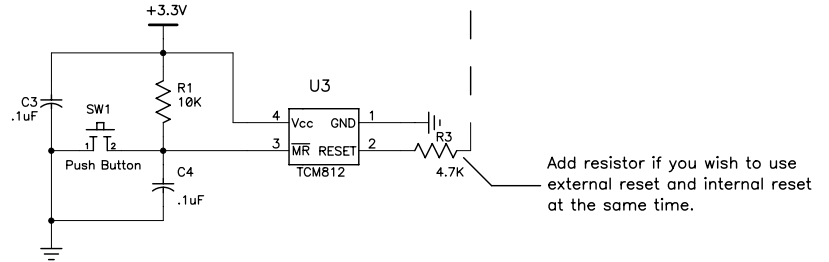
D

### 5V TO 3.3V CONVERSION



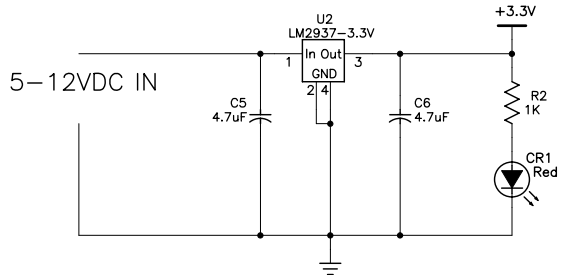
RESET INPUT

### OPTIONAL RESET CIRCUIT



Add resistor if you wish to use external reset and internal reset at the same time.

### POWER SUPPLY



Copyright C 2003, BlueRadios  
Proprietary and Confidential

Board Origin

Title BR-C30A Reference Design		
Size B	Number BR-C30A Ref	Rev A
Date Thu Aug 11, 2005	Drawn by FWF	
Filename BRREFR1.SCH Sheet 1 of 1		

A

B

C

D